

## DESSERT TABLE PACKAGES



25 GUESTS

6" DOUBLE BARREL CAKE

- (12) ROYAL ICING SUGAR COOKIES
- (12) CAKE POPS
- (12) CHOCOLATE STRAWBERRIES
- (12) CAKE SHOOTERS
- (12) CHOCOLATE DIPPED PIZZELLES

\$385



50 GUESTS

6" + 8" TWO TIER CAKE

- (18) ROYAL ICING SUGAR COOKIES
- (18) CAKE POPS
- (18) CHOCOLATE STRAWBERRIES
- (18) CAKE SHOOTERS
- (18) CHOCOLATE DIPPED PIZZELLES

\$575



75 GUESTS

6" + 8" DOUBLE BARREL 2 TIER CAKE

- (24) ROYAL ICING SUGAR COOKIES
- (24) CAKE POPS
- (24) CHOCOLATE STRAWBERRIES
- (24) CAKE SHOOTERS
- (24) CHOCOLATE DIPPED PIZZELLES

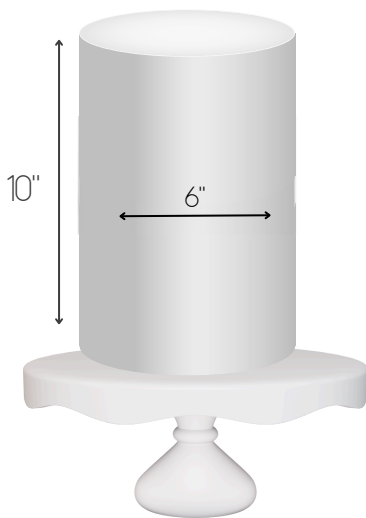
\$750

# THE CAKE

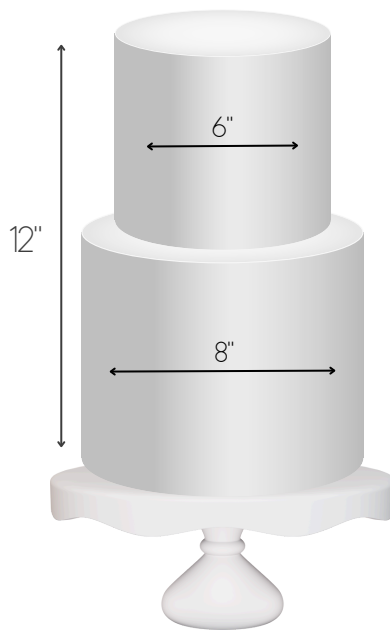
- ONE CHOICE OF CAKE FLAVOR
- NAKED CAKE, TEXTURED BUTTER CREAM, OR SMOOTH ICED
- ONE CHOICE OF BUTTERCREAM COLOR
- GOLD OR SILVER CAKE BOARD
- SEASONAL FRESH FLORALS TO MATCH THEME COLOR



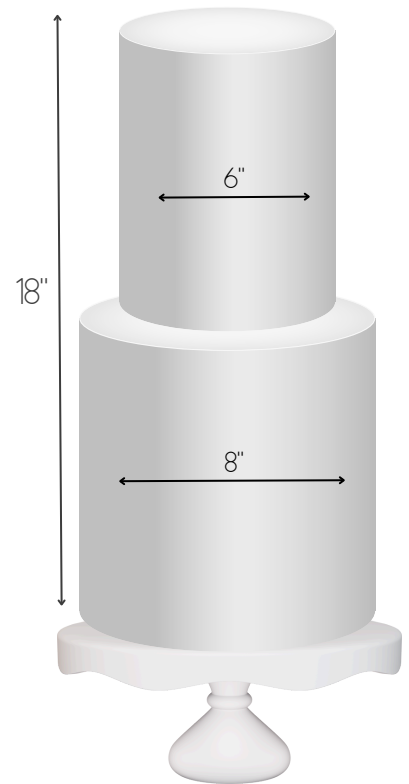
ADD ONS (\$) : CAKE STANDS, ACRYLIC CAKE TOPPER, CARDSTOCK CAKE TOPPER, FONDANT DECORATIONS



6" DOUBLE BARELL



6" + 8" TWO TIER CAKE



6" + 8" TWO TIER  
DOUBLE BARELL CAKE

## CAKE SHOOTERS

ONE CHOICE OF FLAVOR PER 12 SHOOTERS  
GARNISH WILL BE DICTATED BY FLAVOR  
MINI SPOONS INCLUDED



## SUGAR COOKIES

VANILLA SHORTDOUGH COOKIES WITH VANILLA ROYAL ICING  
EACH COOKIE IS BETWEEN 3 TO 4 INCHES  
INCLUDES ONE CUSTOM TEXT COOKIE  
ADD ONS (\$) : METALLIC ACCENTS & INDIVIDUALL WRAPPING

## CAKE POPS

ONE CHOICE OF FLAVOR PER 12  
FLAVOR CHOICES: VANILLA, CHOCOLATE, FUNFETTI, STRAWBERRY  
TWO COLOR CHOICES  
CAKE BALL IS ON THE BOTTOM, NO STAND IS NEEDED  
ADD ONS (\$) : METALLICS, CUSTOM SHAPES OR DECORATIONS



## CHOCOLATE TREATS

PRETZELS, PIZELLES, & STRAWBERRIES

TWO COLOR CHOICES

GOLD AND WHITE SPRINKLES



## A LA CARTE

ROYAL ICING SUGAR COOKIES: \$66.00/DOZEN

CAKE POPS: \$39.00/DOZEN

CAKE SHOOTERS: \$42.00/DOZEN

CHOCOLATE DIPPED PIZELLES: \$24.00/DOZEN

CAKE SICKLES: \$48.00/DOZEN

CUPCAKES: \$36.00/DOZEN

CHOCOLATE STRAWBERRIES: \$30.00/DOZEN

MINI DONUTS: \$30.00/DOZEN



DELIVERY AND SET UP IS INCLUDED IN PRICE\*

CAKE STANDS, PLATTERS, CARTS AND DISPLAY RENTALS AVAILABLE.

\*WITHIN 30 MILES OF GALLOWAY, NJ

PLEASE VISIT [WWW.BAKEDBYLA.COM](http://WWW.BAKEDBYLA.COM) OR

EMAIL [LAUREN@BAKEDBYLA.COM](mailto:LAUREN@BAKEDBYLA.COM) TO SUBMIT AN ORDER INQUIRY

# CUSTOM DESSERT TABLES



IF YOU PREFER A FULLY CUSTOMIZED DESSERT TABLE THAT MATCHES SEAMLESSLY WITH YOUR THEME, WE CAN PUT TOGETHER AN A LA CARTE PACKAGE. THIS OPTION INCLUDES NOT ONLY A VARIETY OF DESSERTS BUT A CAKE DESIGNED TO YOUR VISION AND CUSTOM SUGAR COOKIES FEATURING YOUR NAMES, DATES, INITIALS, AND DESIGNS INSPIRED BY YOUR THEME. EACH ORDER WILL INCLUDE A DIGITAL DESIGN MOCKUP.

## STARTING PRICES

1 TIER CAKE:	\$ 225.00
2 TIER CAKE:	\$350.00
4 INCH SMASH CAKES:	\$65.00
ROYAL ICING SUGAR COOKIES:	\$66.00/DOZEN
CAKE POPS:	\$50.00/DOZEN
CAKE SHOOTERS:	\$55.00/DOZEN
CAKE SICKLES:	\$60.00/DOZEN
CUPCAKES:	\$45.00/DOZEN
CHOCOLATE COVERED OREOS:	\$42.00/DOZEN
MINI DONUTS:	\$45.00/DOZEN

